


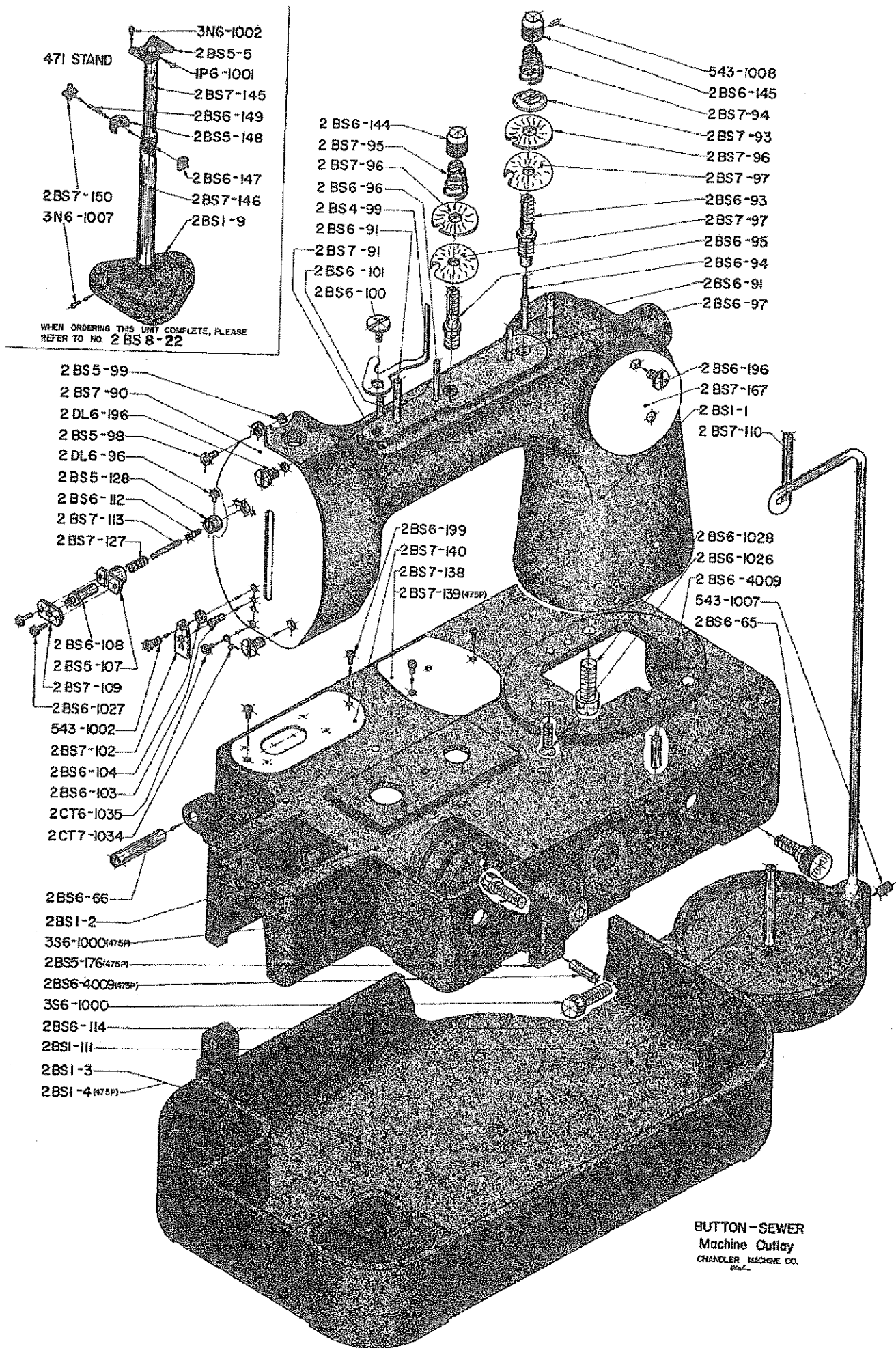
chandler  **WORLD FAMOUS**

**MODEL
CM491**

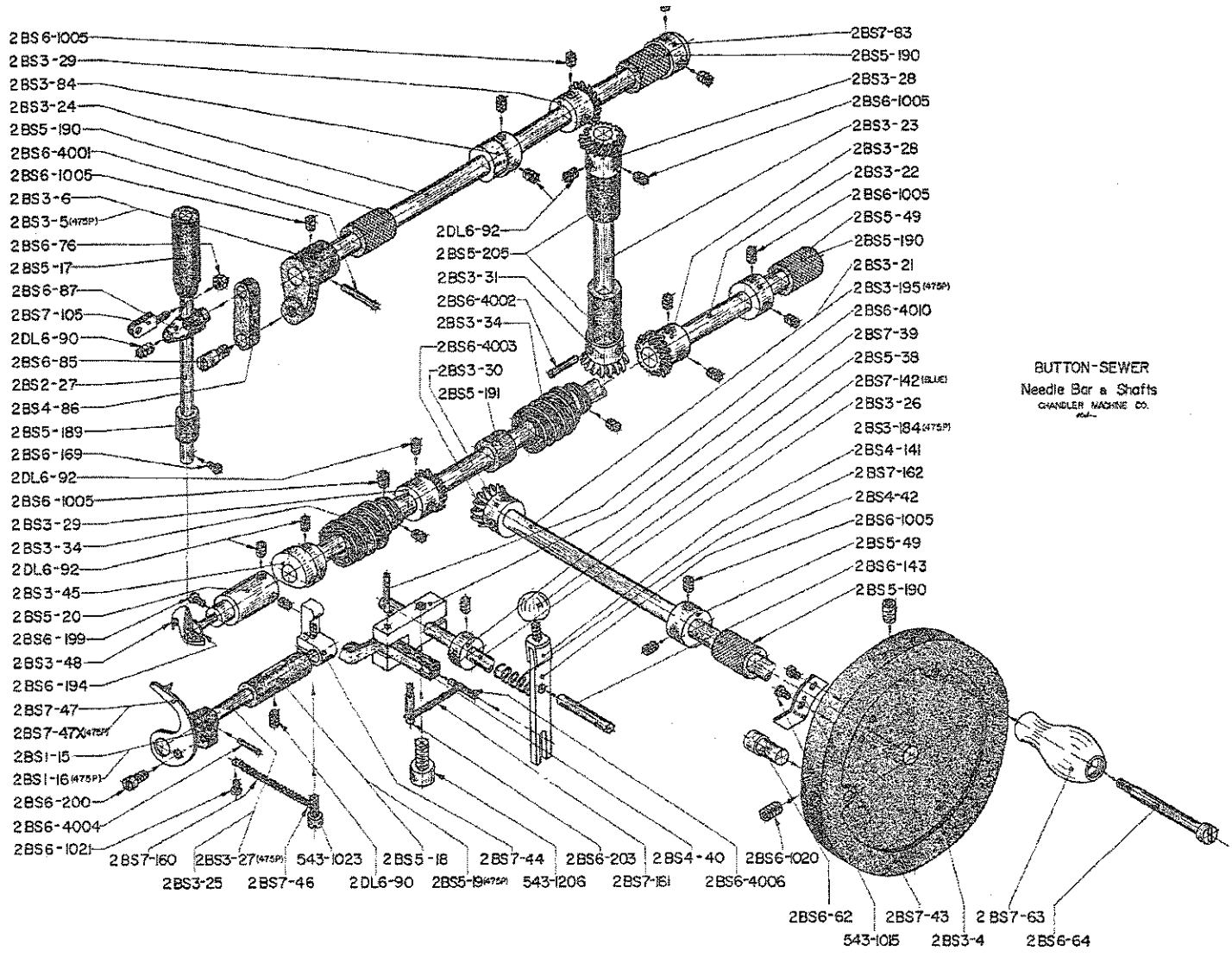
BUTTON SEWING MACHINE



**PARTS
BOOK**

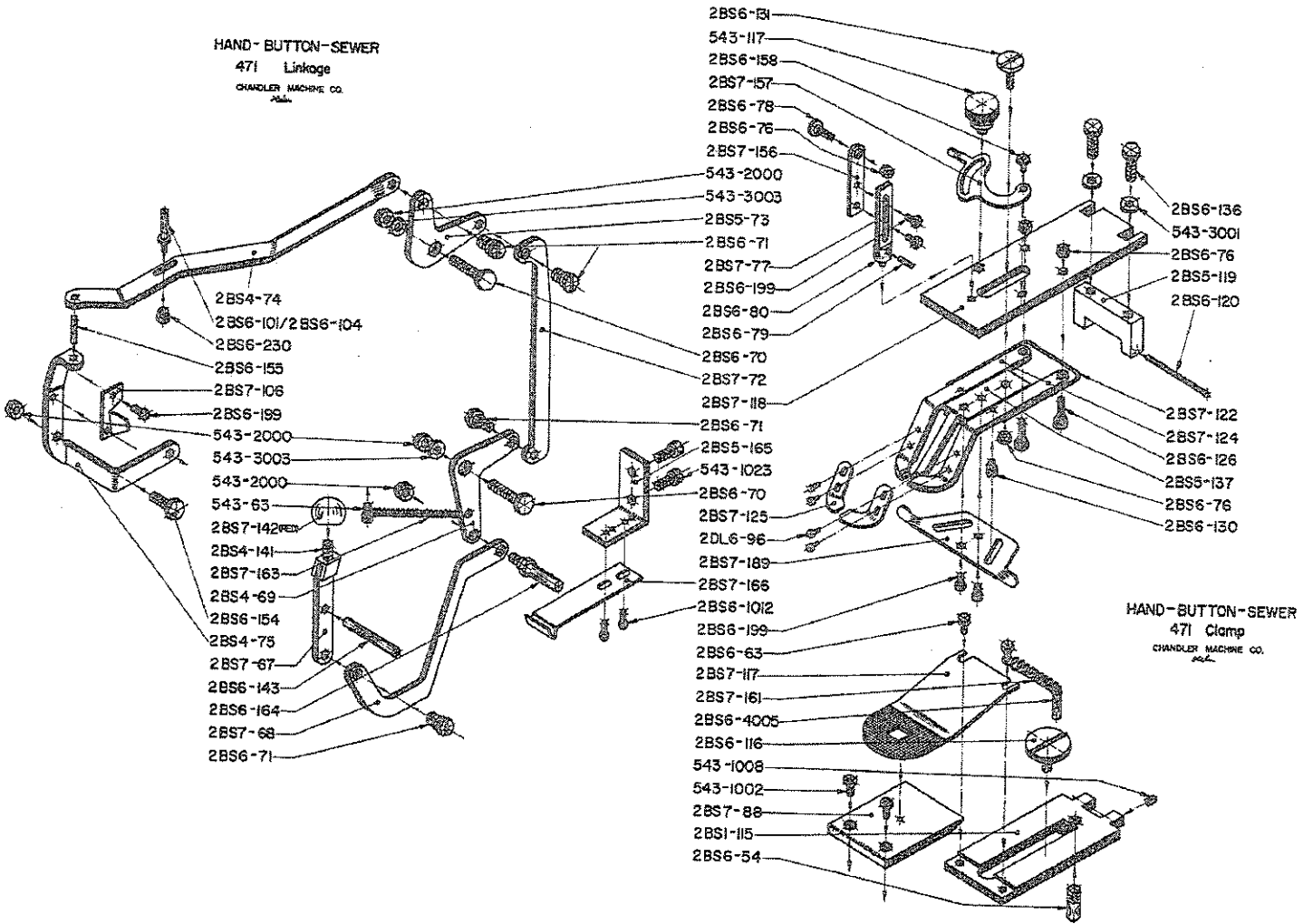


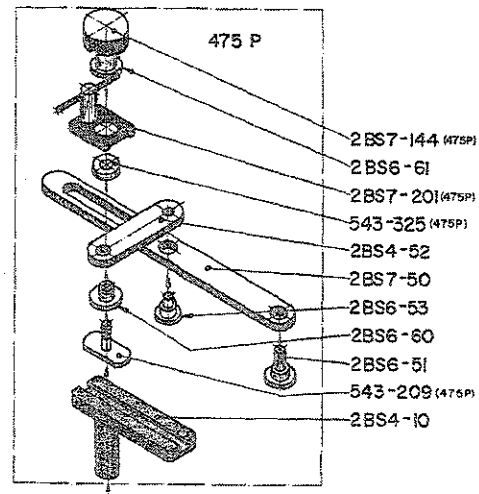
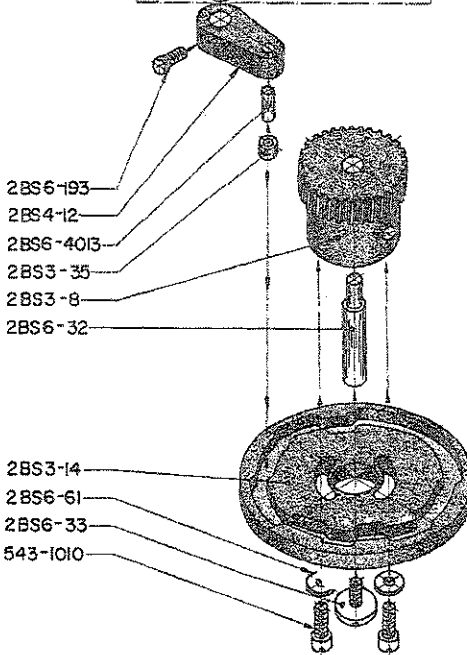
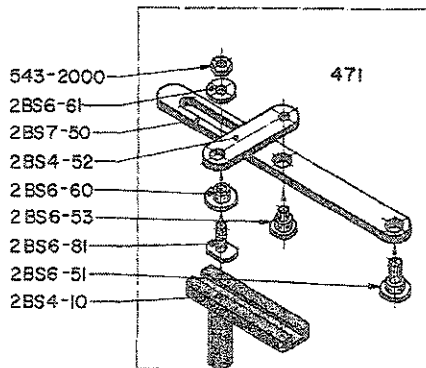
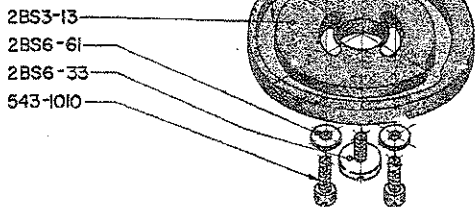
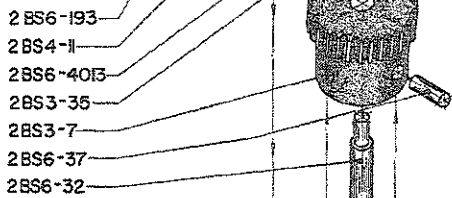
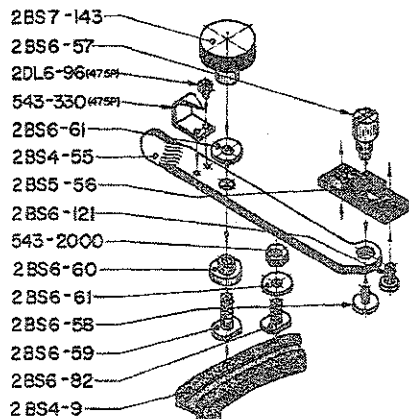
BUTTON-SEWER
Machine Outlay
CHANDLER MACHINE CO.



BUTTON-SEWER
 Needle Bar & Shafts
 CHANDLER MACHINE CO.
 Made in U.S.A.

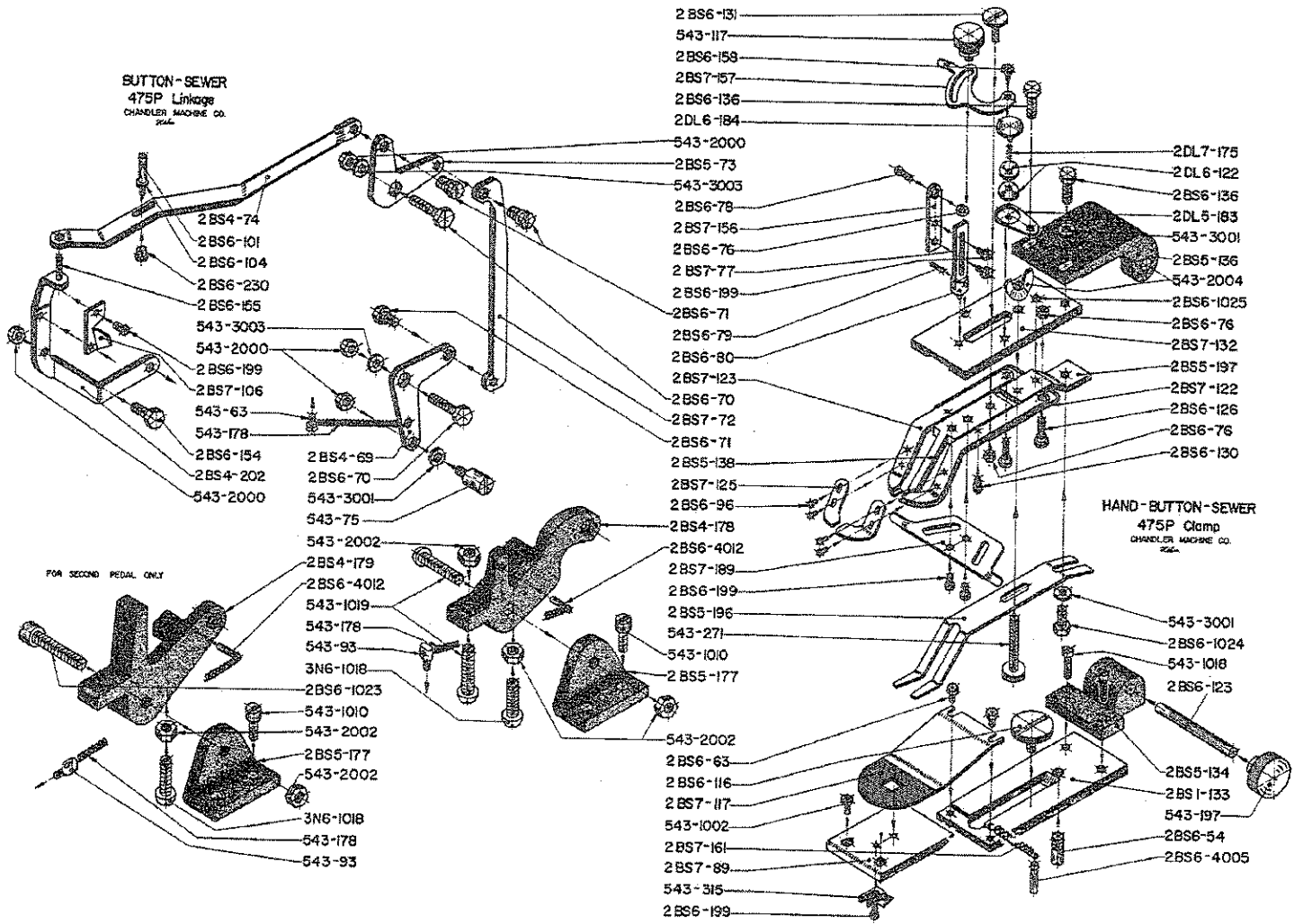
HAND-BUTTON-SEWER
471 Linkage
CHANDLER MACHINE CO.
Pat.





BUTTON SEWER
 Gears & Cams
 CHANDLER MACHINE CO.
 1926

BUTTON-SEWER
475P Linkage
CHANDLER MACHINE CO.
202A



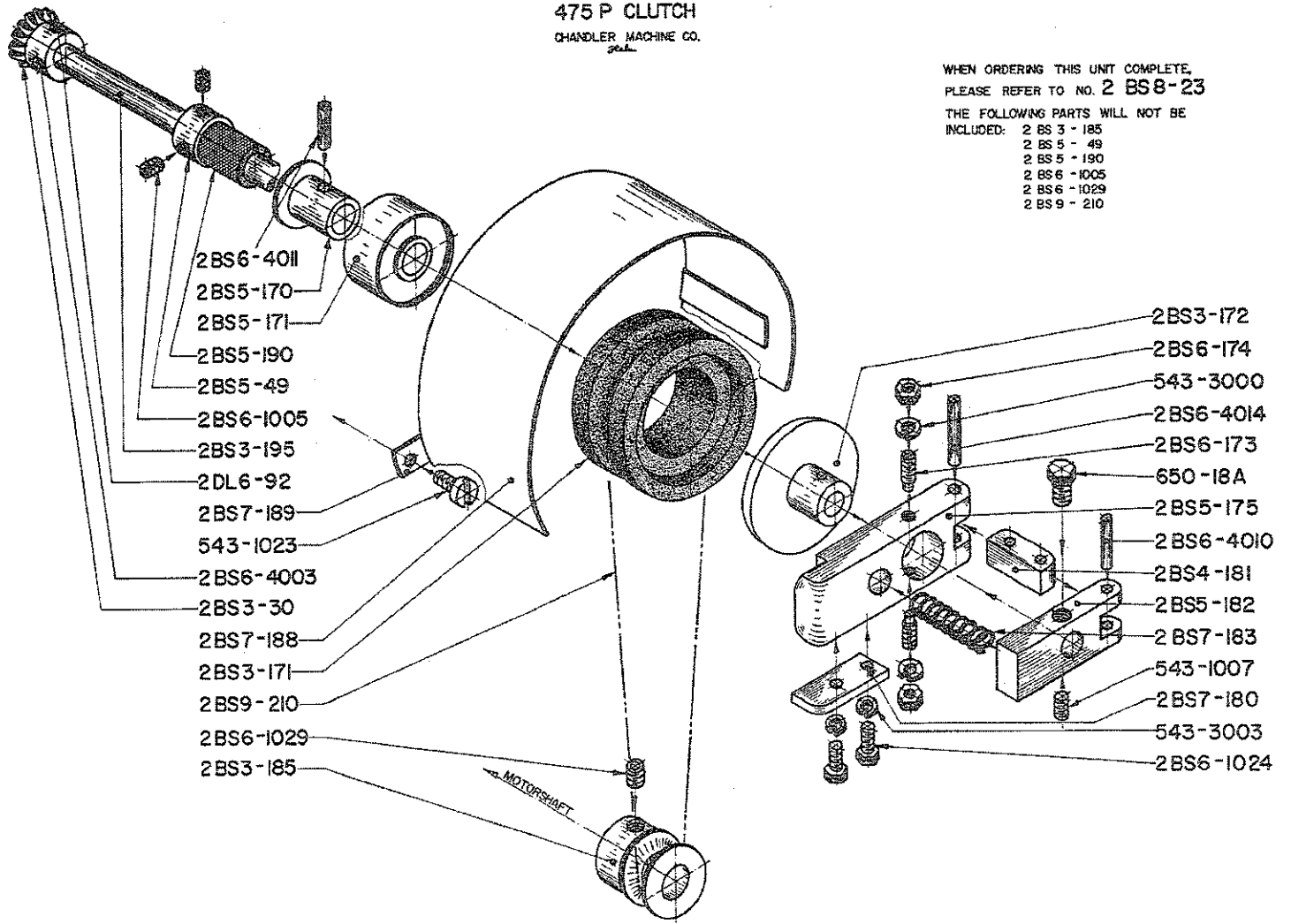
HAND-BUTTON-SEWER
475P Clamp
CHANDLER MACHINE CO.
202A

HAND-BUTTON-SEWER
 475 P CLUTCH
 CHANDLER MACHINE CO.
Pat.

WHEN ORDERING THIS UNIT COMPLETE,
 PLEASE REFER TO NO. 2 BS 8-23

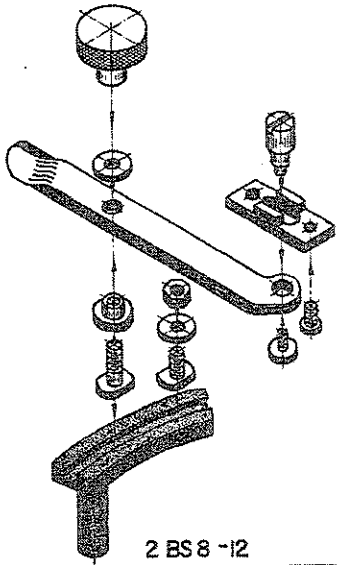
THE FOLLOWING PARTS WILL NOT BE

- INCLUDED:
- 2 BS 3 - 185
 - 2 BS 5 - 49
 - 2 BS 5 - 190
 - 2 BS 6 - 1005
 - 2 BS 6 - 1029
 - 2 BS 9 - 210

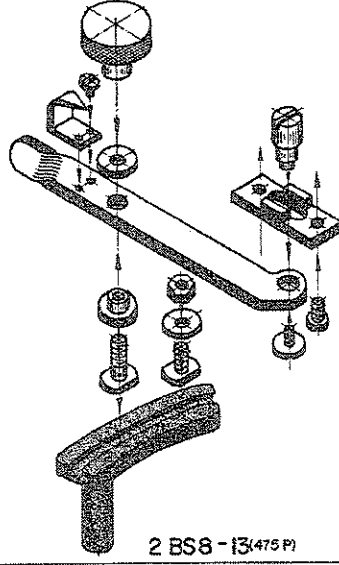


- 2BS6-4011
- 2BS5-170
- 2BS5-171
- 2BS5-190
- 2BS5-49
- 2BS6-1005
- 2BS3-195
- 2DL6-92
- 2BS7-189
- 543-1023
- 2BS6-4003
- 2BS3-30
- 2BS7-188
- 2BS3-171
- 2BS9-210
- 2BS6-1029
- 2BS3-185

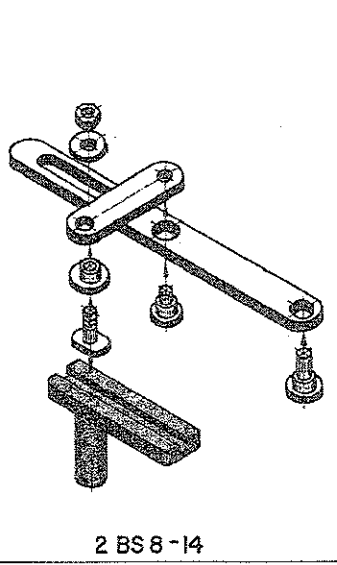
- 2BS3-172
- 2BS6-174
- 543-3000
- 2BS6-4014
- 2BS6-173
- 650-18A
- 2BS5-175
- 2BS6-4010
- 2BS4-181
- 2BS5-182
- 2BS7-183
- 543-1007
- 2BS7-180
- 543-3003
- 2BS6-1024



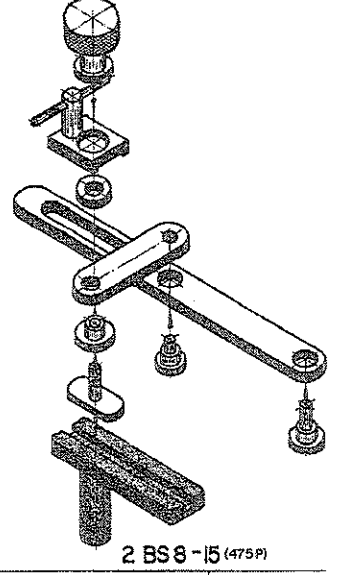
2 BS8-12



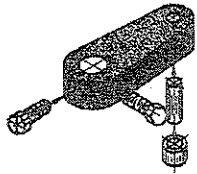
2 BS8-13 (475P)



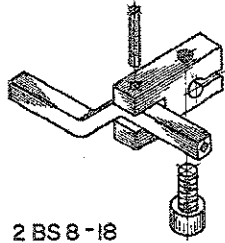
2 BS8-14



2 BS8-15 (475P)



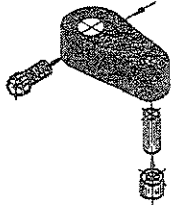
2 BS8-16



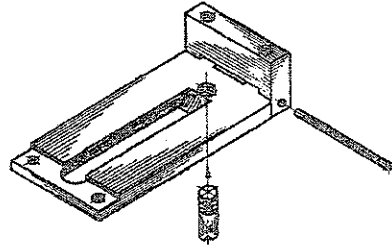
2 BS8-18

HAND - BUTTON - SEWER
CHANDLER MACHINE CO.
Pat. U.S.

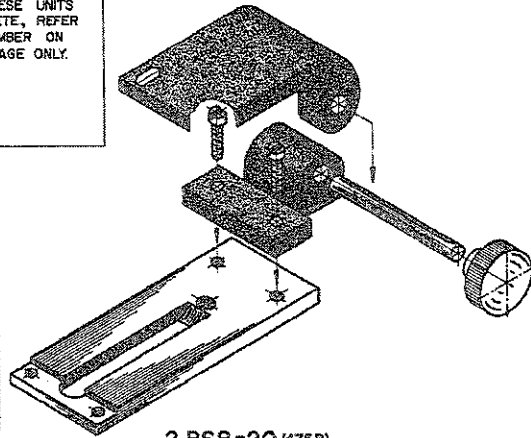
WHEN ORDERING ANY
OF THESE UNITS
COMPLETE, REFER
TO NUMBER ON
THIS PAGE ONLY.



2 BS8-17



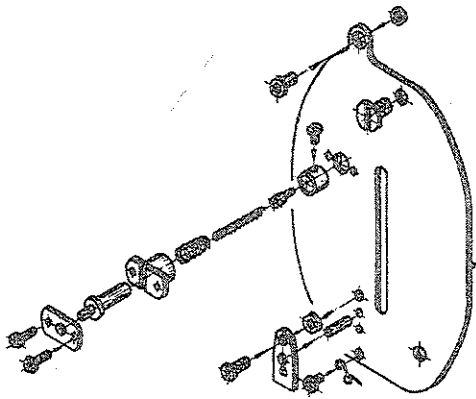
2 BS8-19



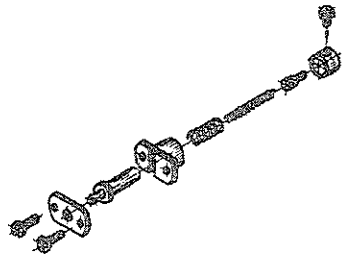
2 BS8-20 (475P)



2 BS8-21
(475P)



2 BS 8 - 1



2 BS 8 - 2

BUTTON - SEWER
CHANDLER MACHINE CO.
202

WHEN ORDERING ANY OF THESE UNITS
COMPLETE, REFER TO NUMBER ON THIS
PAGE ONLY.



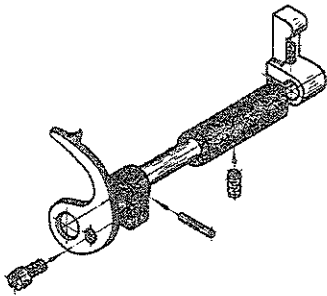
2 BS 8 - 3



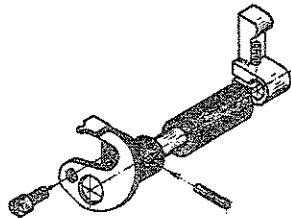
2 BS 8 - 4



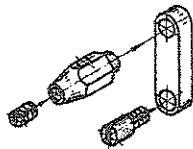
2 BS 8 - 5



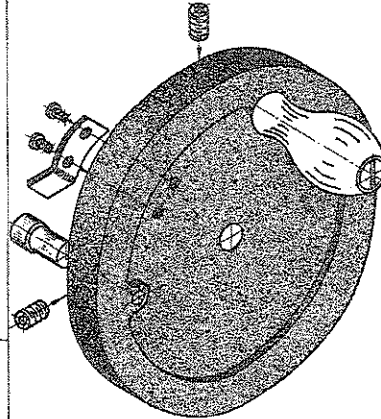
2 BS 8 - 6



2 BS 8 - 7 (475 P)



2 BS 8 - 8



2 BS 8 - 9

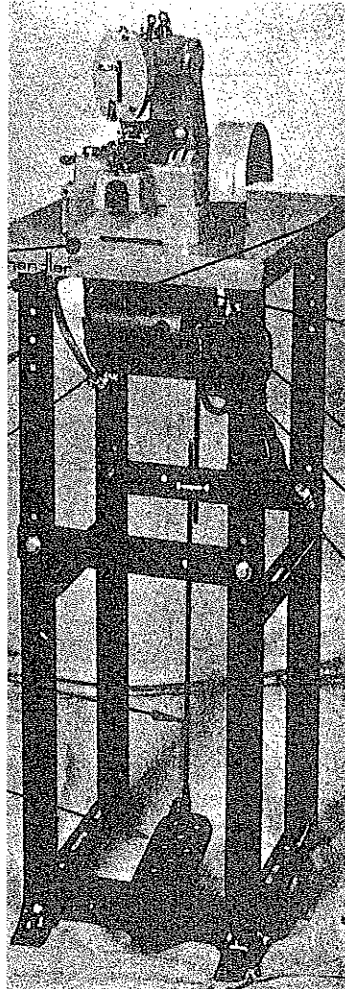


2 BS 8 - 10

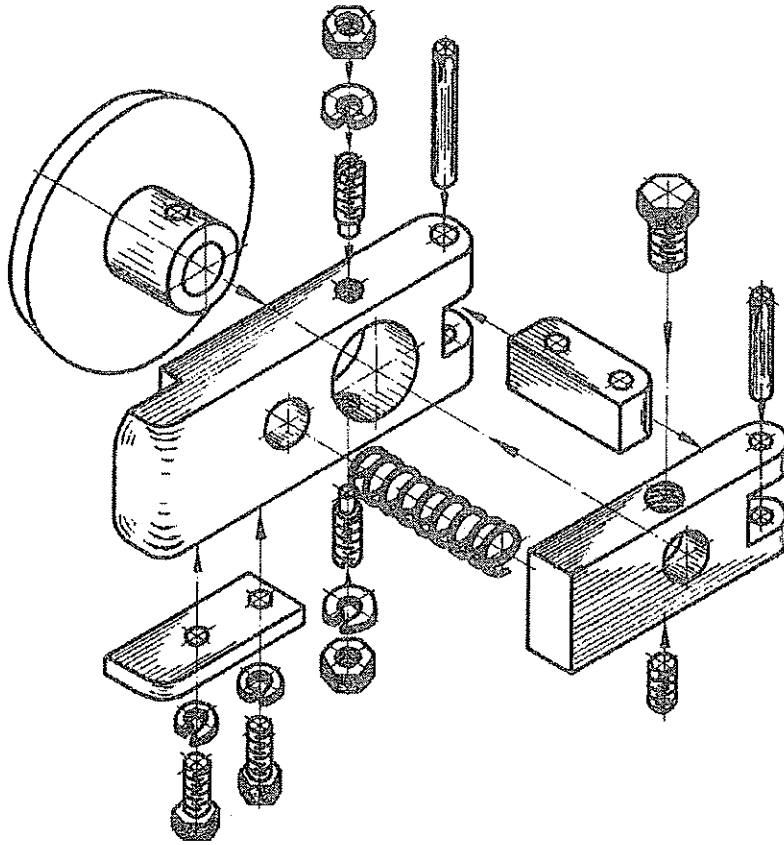


2 BS 8 - 11

HAND BUTTON SEWER 475 P

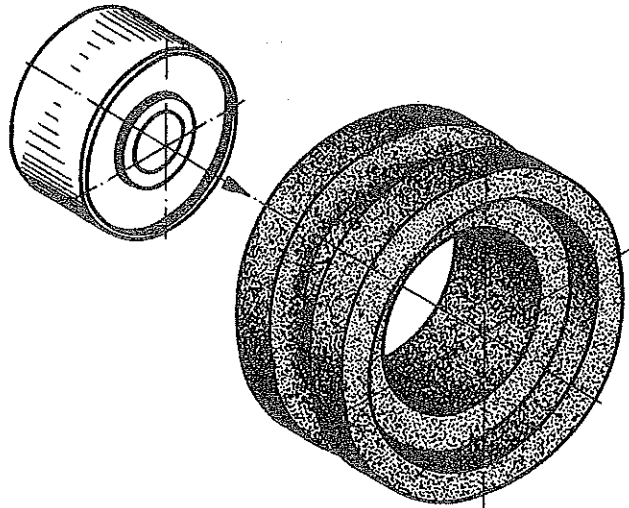


Please note:
Chandler Models 401, 461, 471, 481,
472, 475P & 485P are also represented in this book.

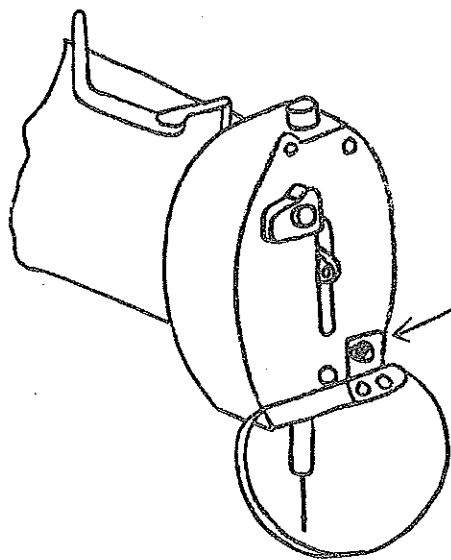


2 BS 8-24 (475P)

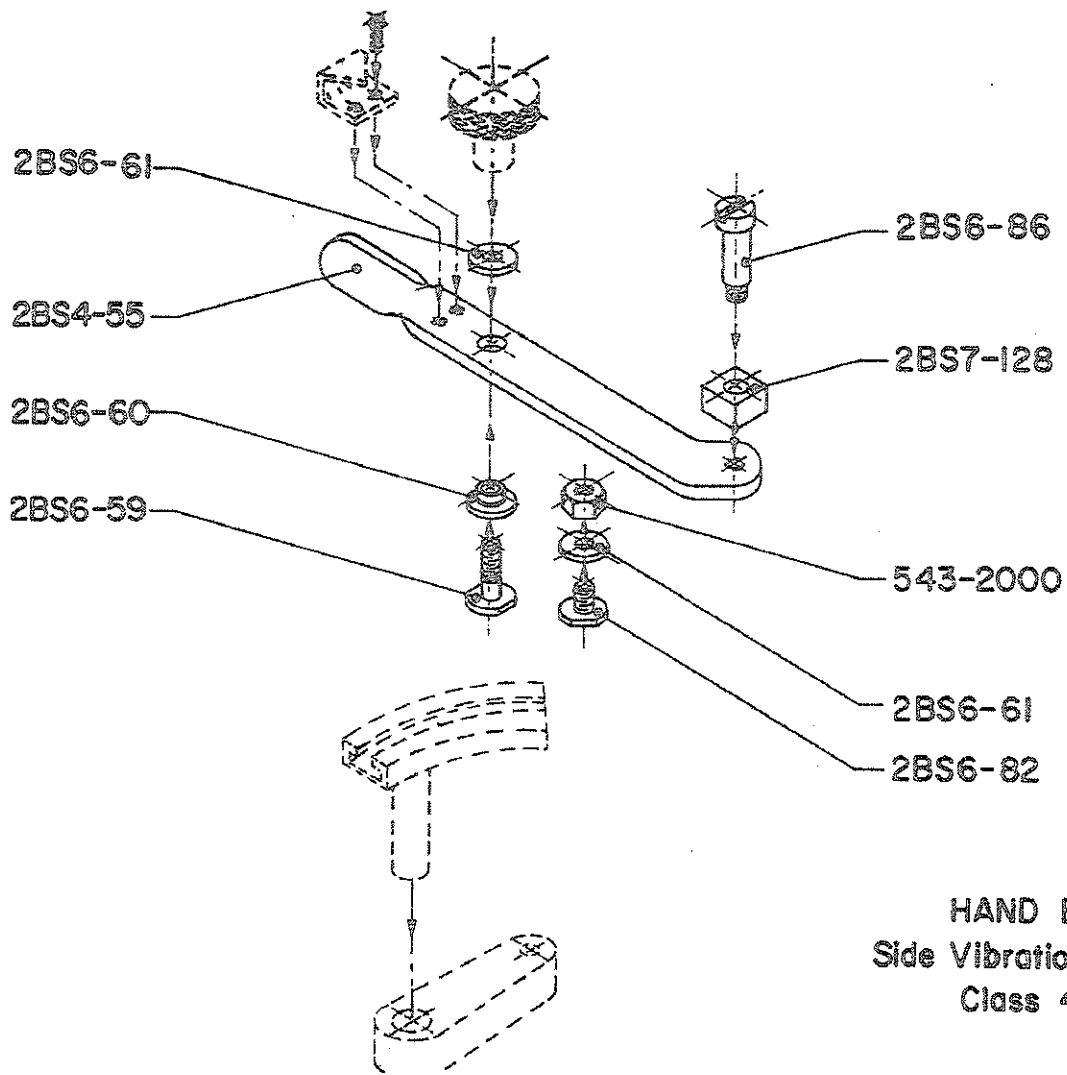
WHEN ORDERING ANY OF THESE UNITS COMPLETE, REFER TO NUMBER ON THIS PAGE ONLY.



2 BS 8-25 (475P)



USE THIS SCREW TO ATTACH
COMBINATION FINGER AND
EYE GUARD.



HAND BUTTON SEWER
Side Vibration Mechanism Revision
Class 48I and 485-P

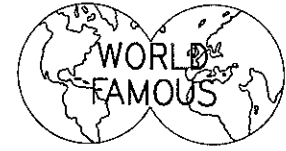
INSTRUCTIONS FOR INSTALLING CLUTCH UNIT ON

472 & 475P & 485P

Refer to parts book re: part numbers

With needle bar in highest or stop position, and stop shaft 2BS3-184 protruding approximately 3/8", the clutch assembly is positioned on clutch shaft 2BS3-195 so that the stop shaft is relieving tension from the clutch, allowing pulley to spin freely. Cap screw will be tightened on flat of shaft and Allen screw on bottom is also tightened. With power off, run the machine thru one cycle by hand. When stop shaft is activated, part No. 2BS-7180, stop blade, should be under leading end of stop shaft, the needle bar should be in its highest position, and the pulley should be free of the clutch, with a minimal amount of clearance. Any adjustments for this should be made by moving stop shaft in or out which is governed by the collar inside the machine. With the machine running, the stop blade should be clearing the stop shaft by approximately 1/32 of an inch.

chandler®



MAIN office

131 W. 25th Street
New York, NY 10001
Tel: 212-741-7788
Fax: 212-741-7787

Miami, FL

4013 N.W. 79th Avenue
Miami, FL 33166
Tel: 305-471-0200
Fax: 305-471-0243

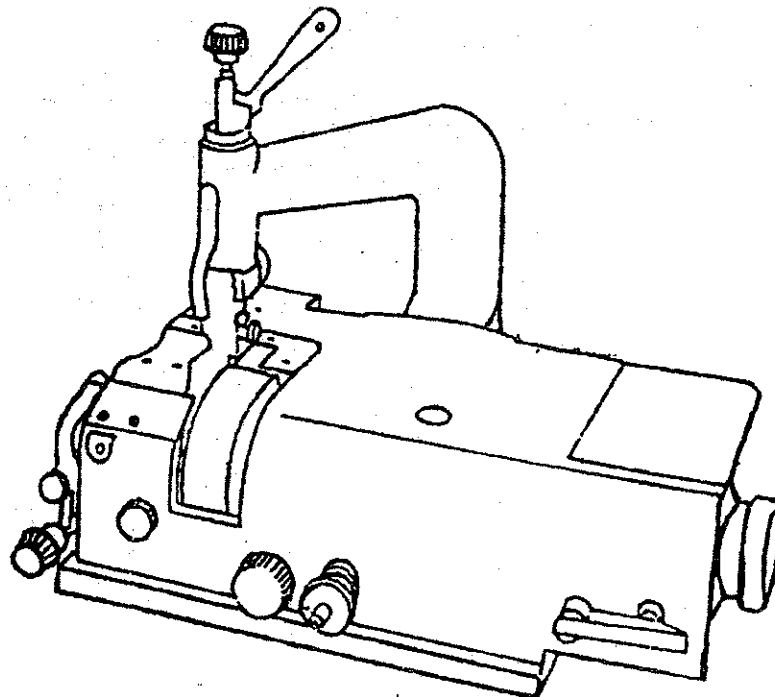
Los Angeles, CA

2320 South Hill Street
Los Angeles, CA 90007
Tel: 213-745-8844
Fax: 213-745-8855

CONSEW[®]
CONSOLIDATED SEWING MACHINE CORP.

MODEL

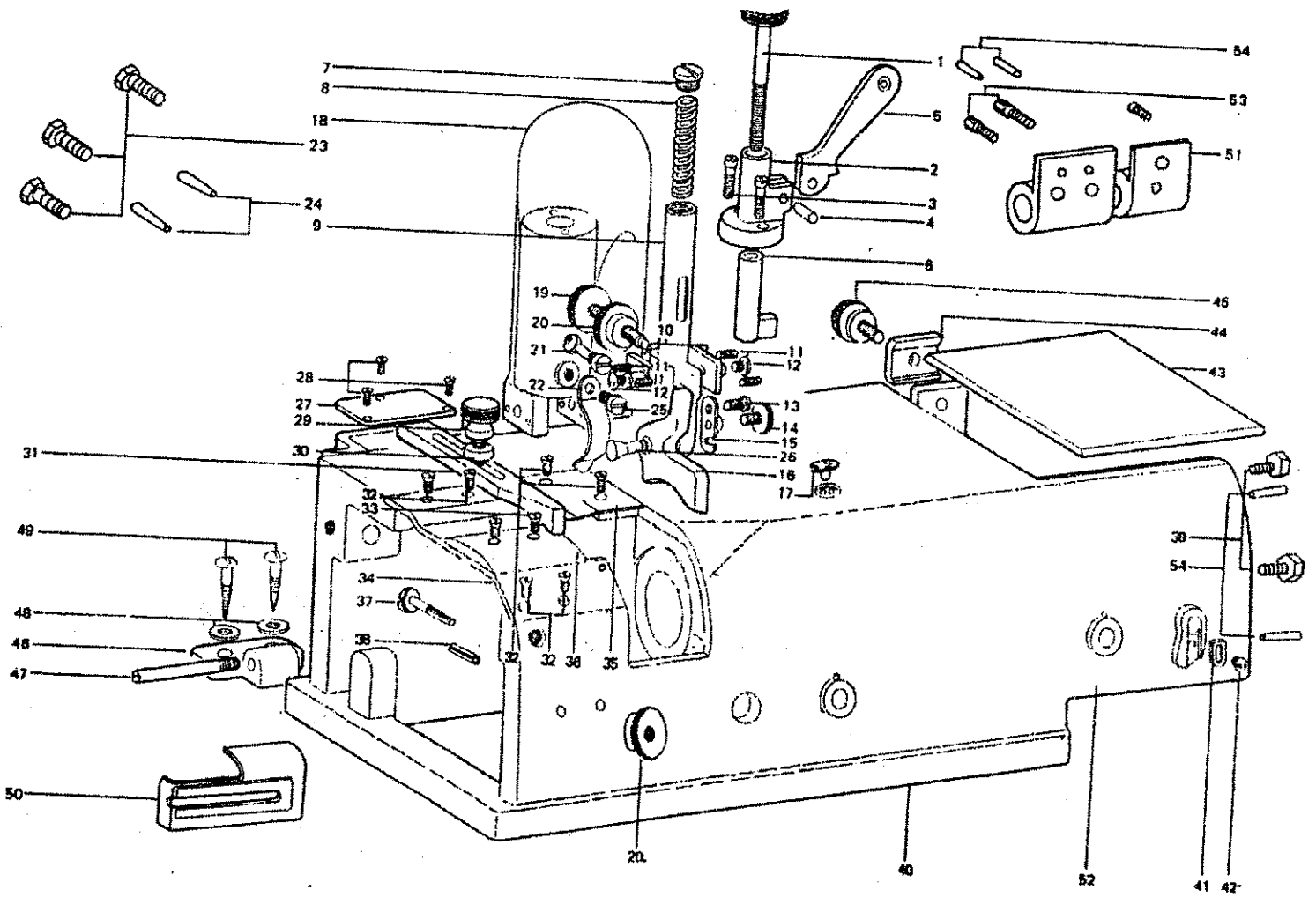
DCS-S3



LEATHER SKIVING MACHINE

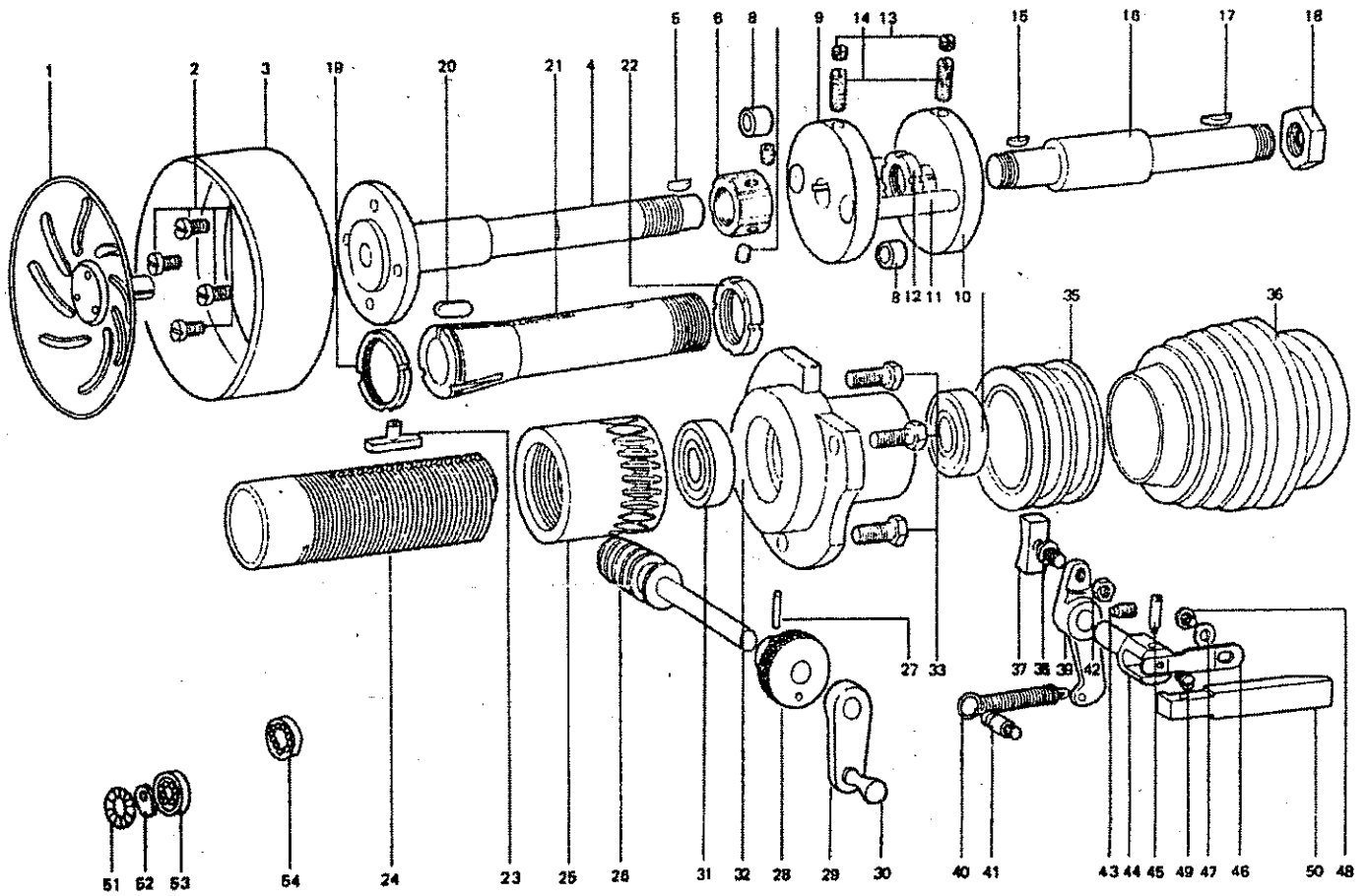
PARTS BOOK

1. PRESSER FOOT AND OUTER ATTACHMENTS



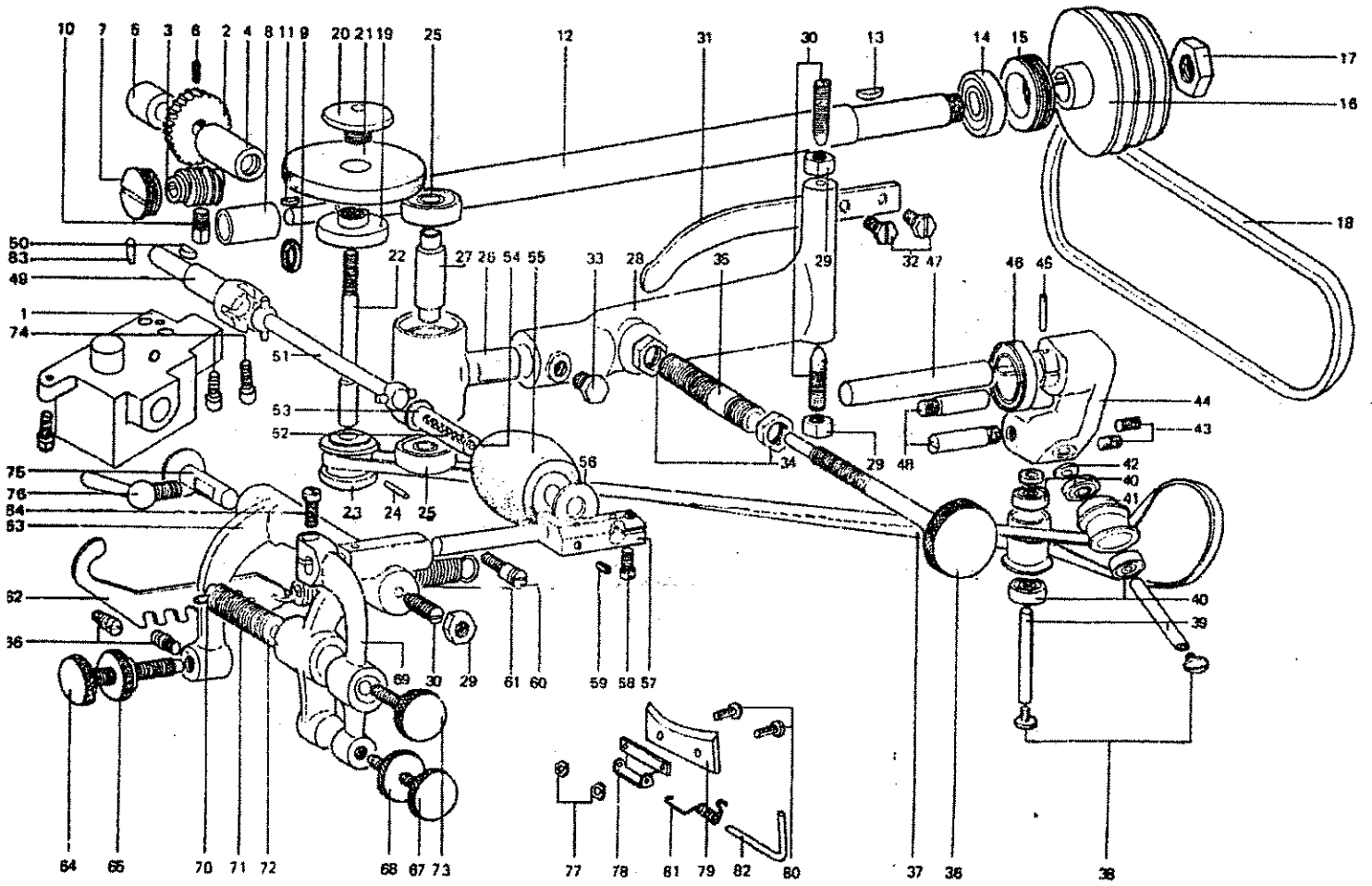
| Item No. | Part No. | Description |
|----------|----------|---|
| 1-1 | 1157 | Presser bar adjusting screw |
| 1-2 | 1156 | Presser bar lifter bracket (2) |
| 1-3 | 28156 | Presser bar lifter bracket screws (2) |
| 1-4 | 1316 | Presser bar lifter pin |
| 1-5 | 1153 | Presser lifter |
| 1-6 | 1155 | Presser bar lifter lever |
| 1-7 | 1150 | Presser bar cover screw |
| 1-8 | 1151 | Presser bar spring |
| 1-9 | 1145 | Presser bar |
| 1-10 | 1004 | Presser foot slide plates (2) |
| 1-11 | 11/64 | Presser foot slide plate screws (4) |
| 1-12 | 31628 | Presser foot slide plate screw |
| 1-13 | 31628-10 | Presser foot shaft hook metal hinge screw |
| 1-14 | 1144 | Presser foot shaft hook metal set screw |
| 1-15 | 1132 | Presser foot shaft shook metal screw |
| 1-16 | 1140 | Presser loot 50 mm |
| 1-17 | 1007 | Oil cap |
| 1-18 | 1001 | Arm |
| 1-19 | 1085 | Presser foot adjusting screw |
| 1-20 | 1086 | Presser foot adjustable screw nuts (2) |
| 1-21 | 1152 | Presser bar spring pin |
| 1-22 | 1140 | Presser foot spring |
| 1-23 | 1625 | Inner hex head screw |
| 1-24 | 1628 | Taper pin |
| 1-25 | 3163 | Presser foot spring screw |
| 1-26 | 1141 | Presser foot shaft |
| 1-27 | 1122 | Worm chamber plate |
| 1-28 | 9634 | Flat screw |
| 1-29 | 1009 | Ruler set screw |
| 1-30 | 1008 | Ruler set screw washer |
| 1-31 | 1006 | Ruler |
| 1-32 | 4096 | Slide plate screws (6) |
| 1-33 | 4097 | Slide plate screws (2) |
| 1-31 | 1003 | Slide plate A |
| 1-35 | 1004 | Slide plate B |
| 1-36 | 1005 | Slide plate C |
| 1-37 | 1563 | Waste feeder screw |
| 1-38 | 6254 | Waste feeder stop pin |
| 1-39 | 1562 | Hex head slotted screws, base plate (2) |
| 1-40 | 1002 | Bed |
| 1-41 | 1036 | Belt cover plate |
| 1-42 | 1036-40 | Belt cover plate screw |
| 1-43 | 1037 | Belt cover lid |
| 1-44 | 1038 | Belt cover lid stopper |
| 1-45 | 1009 | Ruler set screw |
| 1-46 | 2001 | Hinges (2) |
| 1-47 | 2002 | Hinge pins (2) |
| 1-48 | 2002-16 | Hinge screw washers (4) |
| 1-49 | 2002-30 | Hinge screws (4) |
| 1-50 | 1105 | Waste feeder metals (set) |

2. KNIFE AND RELATED PARTS



| Item No. | Part No. | Description |
|-----------------|-----------------|------------------------------------|
| 2-1 | 1021 | Leather peeler cover |
| 2-2 | 1610 | Knife set screws (4) |
| 2-3 | 1010 | Knife |
| 2-4 | 1011 | Knife shaft |
| 2-5 | 3013 | Knife shaft key |
| 2-6 | 81875 | Knife shaft nuts (2) |
| 2-7 | | |
| 2-8 | 1023 | Rubber bushings (2) |
| 2-9 | 1015 | Pulley shaft flange holder |
| 2-10 | 1033 | Pulley shaft flange |
| 2-11 | 1034 | Flange shafts (2) |
| 2-12 | 428x16x75 | Pulley shaft flange nut |
| 2-13 | 9/32x28x4.5 | Pulley shaft flange screws (B) (2) |
| 2-14 | 9/32x28x18 | Pulley shaft flange screws (A) (2) |
| 2-15 | 3x10 | Pulley shaft key (small) |
| 2-16 | 1031 | Pulley shaft |
| 2-17 | 3x16 | Pulley shaft key (large) |
| 2-18 | M16 pXP1.5 | Hexagonal nut (A) |
| 2-23 | 1020 | Knife shaft lead pipe key |
| 2-24 | 1013 | Knife shaft lead pipe |
| 2-25 | 1014 | Knife shaft worm wheel |
| 2-26 | 1016 | Knife shaft worm |
| 2-27 | 3x18 | Taper pin |
| 2-28 | 1017 | Knife adjusting knob |
| 2-29 | 1018 | Knife adjusting handle |
| 2-30 | 1020 | Knife adjusting handle knob |
| 2-31 | 6203 Z | pulley shaft hearings |
| 2-32 | | |
| 2-33 | 5/16"x24x21 | pulley shaft metal screws (3) |
| 2-34 | | |
| 2-35 | 1035 | Clutch |
| 2-36 | 1030 | Pulley |
| 2-37 | 1049 | Clutch slide block |
| 2-38 | 1040 | Clutch slide block screws (3) |
| 2-39 | 1043 | Clutch arm |
| 2-40 | 1024 | Clutch spring |
| 2-41 | 1046 | Clutch spring hook |
| 2-42 | ¼"x40 | Clutch slide block screw nut |
| 2-43 | 15/64x28x81 | Clutch lever screw |
| 2-44 | 1041 | Clutch lever shaft |
| 2-45 | 1160 | Clutch arm server shaft |
| 2-46 | 1042 | Clutch lever spring |
| 2-47 | | Clutch lever spring hinge washer |
| 2-48 | 9/64"x40x6 | Clutch lever spring hinge screw |
| 2-49 | 9/64"x40x6 | Clutch lever spring screw |
| 2-50 | 1039 | Clutch lever |
| 2-51 | NTB 2035 | Truss bearing |
| 2-52 | 20x35x1 | Flat gasket |
| 2-53 | 6004 ZZ | Bearing |
| 2-54 | 6023 ZZ | Bearing |

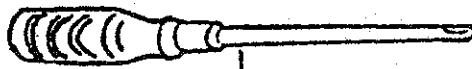
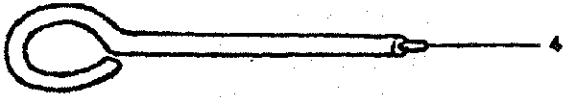
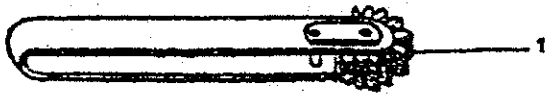
3. GRINDSTONE AND ROLLER RELATED PARTS



| Item No. | Part No. | Description |
|-----------------|-----------------|--|
| 3-1 | 1116 | Worm wheel box |
| 3-2 | 1115 | Main shaft worm gear wheel |
| 3-3 | 1119 | Main shaft worm gear |
| 3-4 | 1120 | Roller driving shaft metal (1) |
| 3-5 | 9/64"x40x90 | Roller driving shaft metal (2) |
| 3-6 | 1123 | Main shaft worm gear wheel screw |
| 3-7 | 1117 | Main shaft worm gear chamber cover screw |
| 3-8 | 121803 | Main shaft front bushing |
| 3-9 | 1123 | Main shaft worm gear chamber oil seal |
| 3-10 | 2.5x10 | Main shaft worm gear chamber screw |
| 3-11 | 1110 | Main shaft key (1) |
| 3-12 | 3x16 | Main shaft |
| 3-13 | 6002 ZZ | Main shaft key (2) |
| 3-14 | M63x 10P1.5 | Main shaft bearing |
| 3-15 | 1111 | Main shaft bearing holder screw |
| 3-16 | M14xP1.5 | Main shaft pulley |
| 3-17 | 3 starK20 | Hexagonal nut B |
| 3-18 | 1051 | Main shaft belt |
| 3-19 | 1052 | Grindstone set screw |
| 3-20 | 1050 | Grindstone set screw nut |
| 3-21 | 1053 | Grindstone |
| 3-22 | 2.5x20 | Grindstone shaft |
| 3-24 | 6200 Z | Grindstone shaft pulley taper pin |
| 3-25 | 1056 | Grindstone shaft bearings (2) |
| 3-27 | 1055 | Grindstone shaft bracket |
| 3-28 | 1057 | Grindstone shaft bearing roller |
| 3-29 | 5/16x24 | Grindstone shaft bracket arm |
| 3-30 | 1731 | Grindstone shaft bracket arm center screw nuts |
| 3-31 | 1069 | Grindstone shaft bracket arm center screws |
| 3-32 | 15/64x24x14 | Grindstone shaft bracket arm spring |
| 3-33 | 5/16x24x14 | Grindstone shaft bracket arm spring screws |
| 3-34 | ½"x28 | Grindstone adjusting screw pipe nuts (2) |
| 3-35 | 1066 | Grindstone adjusting screw pipe |
| 3-36 | 1058 | Grindstone adjusting screw |
| 3-37 | 1059 | Grindstone shaft belt |
| 3-38 | | |
| 3-39 | 1063 | Belt guide pulley screws (2) |
| 3-40 | 626 Z | Belt guide pulley shafts (2) |
| | | Belt guide pulley bearings (4) |
| 3-41 | 1062 | Belt guide pulleys (2) |
| 3-42 | 1063 | Belt guide pulley washers (2) |

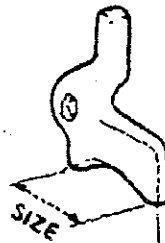
| Item No. | Part No. | Description |
|-----------------|-----------------|---|
| 3-43 | 15/64x28x8 | Belt guide pulley shaft screws (2) |
| 3-44 | 1060 | Belt guide bracket |
| 3-45 | 3x18 | Belt guide bracket taper pin |
| 3-46 | 1067 | Belt guide bracket spring |
| 3-47 | 1061 | Belt guide bracket shaft |
| 3-48 | 1065 | Belt guide bracket turn stoppers |
| 3-49 | 1118 | Roller driving shaft |
| 3-50 | 3x13 | Roller driving shaft key |
| 3-51 | 1121 | Roller driving shaft joint |
| 3-52 | 1094 | Roller shaft oil wick |
| 3-53 | 1081 | Roller shaft |
| 3-54 | | Roller shaft oil scalping |
| 3-55 | 1080 | Roller |
| 3-56 | 1082 | Roller washer |
| 3-57 | 1083 | Roller bracket |
| 3-58 | 15/64x28x10 | Roller shaft screw |
| 3-59 | 11/64x40x3.5 | Waste clear metal shaft screw |
| 3-60 | 1098 | Roller bracket arm spring hooks (2) |
| 3-61 | 1095 | Roller bracket arm spring |
| 3-62 | 1096 | Roller bracket arm spring hook metal |
| 3-63 | 1091 | Roller bracket arm |
| 3-64 | 1092 | Roller bracket arm adjusting screw |
| 3-65 | 1093 | Roller bracket arm adjusting screw nut |
| 3-66 | 1097 | Roller bracket arm spring hooks (2) |
| 3-67 | 1085 | Roller bracket turning arm adjusting screw |
| 3-68 | 1086 | Roller bracket turning arm adjusting screw nut |
| 3-69 | 1083 | Roller bracket turning arm |
| 3-70 | 1088 | Roller bracket turning arm spring stopper |
| 3-71 | 1087 | Roller bracket turning arm spring |
| 3-72 | 1090 | Roller bracket turning arm spring adjusting nut |
| 3-73 | 1089 | Roller bracket turning arm spring adjusting nut screw |
| 3-74 | 1/4x20x20 | Set screw (3) |
| 3-75 | 1099 | Roller bracket arm center pin |
| 3-76 | 1100 | Roller bracket arm center pin screw |
| 3-77 | 9/64x10 | Waste clear metal leather nuts (2) |
| 3-78 | 1101 | Waste clear metal |
| 3-79 | 1104 | Waste clear metal leather |
| 3-80 | 9/64x40 | Waste clear metal leather screws (2) |
| 3-81 | 1103 | Waste clear metal spring |
| 3-82 | 1102 | Waste clear metal shaft |
| 3-83 | 4x22 | Taper pin |
| 3-84 | | Roller shaft screw |

4. ACCESSORIES



7

6



A 40m/m
B 30m/m
C 25m/m

| Item No. | Part No. | Description |
|-----------------|-----------------|------------------------------|
| 3-1 | 3001 | Grindstone dresser |
| 4-2 | 3002 | Grindstone spanner |
| 3-3 | 3004 | Knife shaft spanner |
| 4-4 | 3005 | Knife interior cover remover |
| 4-5 | 3006 | Bar type grindstone |
| 4-6 | 3007 | Screwdriver (large) |
| 4-7 | 3008 | Oiler |
| 1-16 A | 1130 A | Presser foot 50 mm |
| 1-16 B | 1140 B | Presser foot 30 mm |
| 1-16C | 1140 C | Presser foot 25 mm |
| 1-47 | 2002 | Hinge pins (2) |
| 1-36 | 2001 | Hinges (2) |
| 1-48 | 15x6.3x1.6 | Hinge set screw washers (2) |
| 1-39 | 6x30 | Hinge set screws (4) |
| 2-29 | 1018 | Knife adjusting handle |
| 2-30 | 1019 | Knife adjusting handle |
| 4-5 | 3006 | Bar type grindstone |

Consolidated Sewing Machine Corp.
Website: www.consew.com

MAIN office

131 W. 25th Street
New York, NY 10001
Tel: 212-741-7788
Fax: 212-741-7787
e-mail: consew@att.net

Miami, FL

4013 N.W. 79th Avenue
Miami, FL 33166
Tel: 305-471-0200
Fax: 305-471-0243
e-mail: miamisales@consew.com

Los Angeles, CA

2320 South Hill Street
Los Angeles, CA 90007
Tel: 213-745-8844
Fax: 213-745-8855
e-mail: lasales@consew.com